

IP Video Surveillance

VDA61-I(WDR) Dome Camera

6MP Full HD 1080p



Overview

VIDEOTEKNIKA VDA61-I is a compact, stylish and high impact vandal resistant fixed dome camera with WDR designed for indoor / outdoor applications with a 6 Megapixel sensor enabling a viewing resolution of 3072 x 2048 (Full HD 1080p Real Time). The multitasking day & night camera provides unlevelled cost effective performance making the product a market leader in its segment. The camera allows versatile indoor use through its True Day & Night feature and its vandal resistance. The VDA61-I camera incorporates a 1/2.9" CMOS chip with progressive scan technology enabling sharp images in highly populated locations. The VDA61-I also supports POE.

Supported Compression

The VDA61-I supports MJPEG compression technology, a digital video encoding standard where each video frame is separately compressed into a JPEG image. The VDA61-I also supports the industry standard H.265+, H.265, H.264+, H.264 compression, the most recent compression technology that reduces drastically video file sizes therefore allowing for better storage and lowers bandwidth demands.

Triple Streaming

The VDA61-I allows for Triple independent streaming images to pass through the video coder. The resolution, frame rate and bit rate can be set independently on both streams. The main application for Triple streams allows for high resolution and high frame rate streaming for recording while allowing lower resolution and frame rate for computer browsing and mobile device applications.

Supported Software

The Camera is supported by the Videoteknika VVMS-*Xpert*™ VMS. The VVMS-*Xpert*™ VMS is a modular Video Management Software dedicated for Videoteknika IP cameras expandable up to 1024 Channels per server. A 64 Ch version VVMS-*Advanced*™ is supplied as a free bundled software with all Videoteknika IP Cameras. VVMS-*Mobile*™ is also available on Iphone and Android applications. Videoteknika IP cameras are supported by various leading software development VMS partners.

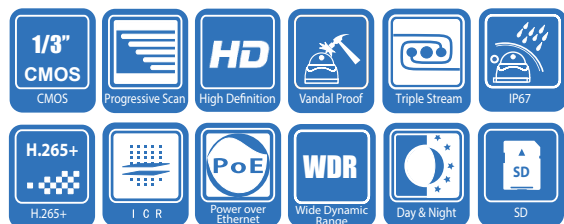
Main Features

- Full HD (1080p) Real time video
- Up to 6 Megapixel (3072 x 2048) Resolution
- 1/2.9" progressive scan CMOS
- 2-Way Audio, Built-in Audio & Alarm Input/Output (Optional)
- IP67 & IK10 rated for Outdoor use
- Built-in IR Illuminator, Effective 30 metres
- 120DB Wide Dynamic Range
- True Day & Night IR Cut Filter (auto-switch)
- Fixed Lens 2.8 (Optional 4mm)
- Triple Simultaneous Streaming
- Supported Video Compressions : H.265+, H.265, H.264+, H.264
- ROI, BLC, 3D-DNR, Privacy Masking, Reset, Mirror, etc.
- Protective Vandal Resistant IK10 rated Housing
- Power Over Ethernet (POE)
- NAS – Network Storage Compatible
- ONVIF,PSIA,CGI compatible
- Built-in Micro SD / SDHC card slot for local storage
- Videoteknika – VVMS-*Advanced*™ VMS software included
- Videoteknika – VVMS-*Mobile*™ supported on App Store

VDA61-I(WDR)

IP 6MP Dome

Full HD 1080p



IP Video Surveillance

VDA61-I(WDR) Dome Camera

6MP Full HD 1080p



Easy setup

- Power Over Ethernet – POE (802.3af)
- Polycarbonate dome with vandal resistance
- Saturation, brightness, contrast adjustable through client software or web browser
- Fixed Lens 2.8 (Optional 4mm)
- Face Detection, Line Crossing Detection, Intrusion Detection

Typical Camera Locations	VDA61-I
Retail	Yes
Banking	Yes
Airports	Yes
Medical	Yes
Parking garages	Yes
Domestic	Yes
Corporate	Yes
Government	Yes
Common Areas	Yes

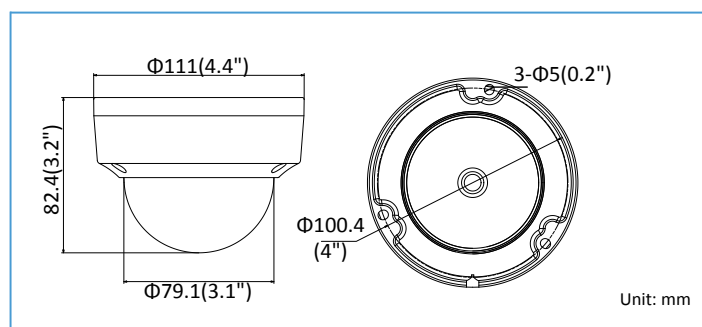
Specifications

Camera Model	VDA61-I
Features	
Image Sensor	1/2.9" Progressive Scan CMOS
Min. Illumination	0 Lux with IR LED's On
Shutter time	1/3s ~ 1/10,000s
Lens	2.8mm @ F1.4, Angle of view: 98°
IR Range	30 metres
Lens Mount	φ14
Iris Mode	Fixed Iris
Adjustment Range	Pan: 0°~355°, Tilt: 0°~75°
Day and Night	IR cut filter with auto switch
System Compatibility	ONVIF, PSIA, CGI
Video Compression	H.265+, H.265, H.264+, H.264
Bit Rate	256 Kbps ~ 16 Mbps
Triple Stream	Yes
Max. Image Resolution	3072 x 2048
Frame Rate	50 Hz: 20 fps (3072 x 2048), 25 fps (1920 x 1080) 60 Hz: 20 fps (3072 x 2048), 30 fps (1920 x 1080)
Third Stream	50Hz: 25fps (1920 x 1080 ~ 352 x 288) 60Hz: 30fps (1920 x 1080 ~ 352 x 240)
Local Storage	Built-in SD/SDHC slot, up to 128 GB
Ethernet Port	1x RJ45 10M / 100M Ethernet port
Wide Dynamic Range	120dB WDR

Camera Model	VDA61-I
Features (Continued)	
Smart Function	Face , Line crossing , Intrusion Detection
Misc Configurations	3D-DNR, BLC, ROI
Alarm Input / Alarm Output	1 ch / 1 ch (Optional)
Audio Input / Output	1-ch Mic in or Line in / 1-ch interface (Optional)
Image Settings	Saturation, brightness, contrast adjustable through client software or web browser
Network Storage	NAS – Network Storage Compatible
Alarm Trigger	Motion detection, network disconnect, IP address conflict, storage exception
Security	Password protection, watermark

Environmental	
Operating Temperature	-30 °C ~ 60 °C [-22 °F ~ 140 °F]
Electrical	
Input Voltage	12 VDC ± 10%, PoE (802.3af)
Power Consumption	Max. 5.5W
Physical	
Dimensions	112 x 83 mm
Protection	IP67 & IK10
Weight	500 g
Regulatory Certifications	FCC, CE, C-TICK, UL

Dimensional Diagrams



IP Video Surveillance
 VDA61-I(WDR) Dome Camera
6MP Full HD 1080p



Ordering Information

Camera Model	Camera Details
VDA61-I	6MP (3072 x 2048), Full HD 1080p Real Time IP Dome, True Day & Night (ICR), Fixed 2.8 mm Lens, PoE, 120dB WDR, Triple Stream, 3-Axis, Vandal Proof, (VMS, Mobile & NAS Network Storage Support), SD Card support.

Recommended Associated Products



VDB-03	VDB-04	VVMS-Advanced™
Pendant Mount Bracket	Wall Mount Bracket with Gang Box	Video Management Software
<2500 grams	<2500 grams	64 Channel
150 (W) x 545 (H) mm	140mm (L) x 193.6mm (W) x 297.5 (H) mm	Mobile Application

Affiliations:



Partners:

