

# IP Video Surveillance

## VDA62-IMA Dome Camera

### 6MP Full HD 1080p



#### Overview

VIDEOTEKNIKA VDA62-IMA is a compact, stylish and high impact vandal resistant Varifocal dome camera with WDR designed for indoor / outdoor applications with a 6 Megapixel sensor enabling a viewing resolution of 3072 x 2048 (Full HD 1080p Real Time). The multitasking day & night camera provides uneveled cost effective performance making the product a market leader in its segment. The camera allows versatile indoor use through its True Day & Night feature and its vandal resistance. The VDA62-IMA camera incorporates a 1/2.9" CMOS chip with progressive scan technology enabling sharp images in highly populated locations. The VDA62-IMA also supports POE.

#### Supported Compression

The VDA62-IMA supports H.265+ compression technology, . The VDA62-IMA also supports the industry standard H.265+, H.265, H.264+, H.264 compression, the most recent compression technology that reduces drastically video file sizes therefore allowing for better storage and lowers bandwidth demands.

#### Triple Streaming

The VDA62-IMA allows for Triple independent streaming images to pass through the video coder. The resolution, frame rate and bit rate can be set independently on both streams. The main application for Triple streams allows for high resolution and high frame rate streaming for recording while allowing lower resolution and frame rate for computer browsing and mobile device applications.

#### Supported Software

The Camera is supported by the Videoteknika VVMS-*Xpert*<sup>™</sup> VMS. The VVMS-*Xpert*<sup>™</sup> VMS is a modular Video Management Software dedicated for Videoteknika IP cameras expandable up to 1024 Channels per server. A 64 Ch version VVMS-*Advanced*<sup>™</sup> is supplied as a free bundled software with all Videoteknika IP Cameras. VVMS-*Mobile*<sup>™</sup> is also available on Iphone and Android applications. Videoteknika IP cameras are supported by various leading software development VMS partners.

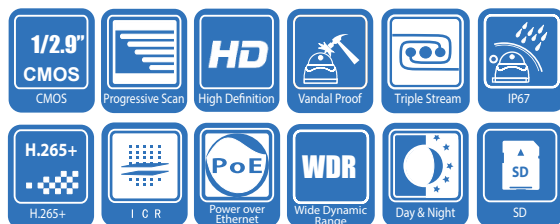
#### Main Features

- Full HD (1080p) Real time video
- Up to 6 Megapixel (3072 x 2048) Resolution
- 1/2.9" progressive scan CMOS
- Alarm Input/Output
- 1 input (line in, 3.5 mm), 1 output (line out, 3.5 mm)
- IP67 & IK10 rated for Outdoor use
- Built-in IR Illuminator, Effective 30 metres
- 120DB Wide Dynamic Range
- True Day & Night IR Cut Filter (auto-switch)
- Varifocal Lens 2.8 ~12mm
- Triple Simultaneous Streaming
- Supported Video Compressions : H.265+, H.265, H.264+, H.264
- ROI, BLC, 3D-DNR, Privacy Masking, Reset, Mirror, etc.
- Protective Vandal Resistant IK10 rated Housing
- Power Over Ethernet ( POE)
- NAS – Network Storage Compatible
- ONVIF,PSIA,CGI compatible
- Built-in Micro SD / SDHC card slot for local storage
- Videoteknika – VVMS-*Advanced*<sup>™</sup> VMS software included
- Videoteknika – VVMS-*Mobile*<sup>™</sup> supported on App Store

# VDA62-IMA

## IP 6MP Dome

### Full HD 1080p



**FULL HD**  
1920X1080



# IP Video Surveillance

## VDA62-IMA Dome Camera

### 6MP Full HD 1080p



#### Easy setup

- Power Over Ethernet – POE (802.3af)
- Polycarbonate dome with vandal resistance
- Saturation, brightness, contrast adjustable through client software or web browser
- Varifocal Lens 2.8 ~12mm
- Face Detection, Line Crossing Detection, Intrusion Detection

Typical Camera Locations	VDA62-IMA
Retail	Yes
Banking	Yes
Airports	Yes
Medical	Yes
Parking garages	Yes
Domestic	Yes
Corporate	Yes
Government	Yes
Common Areas	Yes

#### Specifications

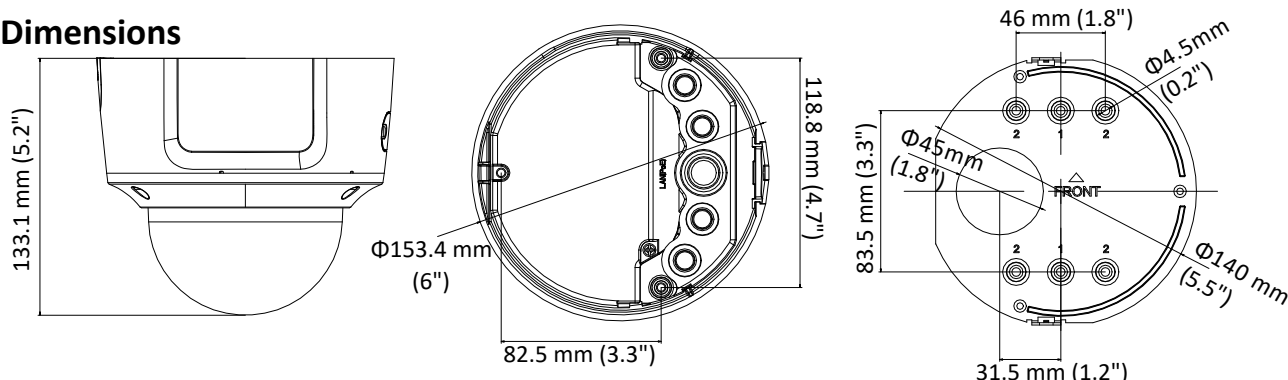
Camera Model	VDA62-IMA
<b>Features</b>	
Image Sensor	1/2.9" Progressive Scan CMOS
Min. Illumination	0 Lux with IR LED's On
Shutter time	1/3s ~1/10,000s
Lens	2.8~ 12 mm @ F1.4, Angle of view: 110°~ 33°
IR Range	30 metres
Lens Mount	φ14
Iris Mode	Varifocal Iris
Adjustment Range	Pan: 0°~355°, Tilt: 0°~75°
Day and Night	IR cut filter with auto switch
System Compatibility	ONVIF, PSIA, CGI
Video Compression	H.265+, H.265, H.264+, H.264
Bit Rate	256 Kbps ~ 16 Mbps
Triple Stream	Yes
Max. Image Resolution	3072 x 2048
Frame Rate	50 Hz: 20 fps (3072 x 2048), 25 fps (1920 x 1080) 60 Hz: 20 fps (3072 x 2048), 30 fps (1920 x 1080)
Third Stream	50Hz: 25fps (1920 x 1080 ~352 x 288) 60Hz: 30fps (1920 x 1080 ~ 352 x 240)
Local Storage	Built-in SD/SDHC slot, up to 128 GB
Ethernet Port	1x RJ45 10M / 100M Ethernet port
Wide Dynamic Range	120dB WDR

Camera Model	VDA62-IMA
<b>Features (Continued)</b>	
Smart Function	Face , Line crossing , Intrusion Detection
Misc Configurations	3D-DNR, BLC, ROI
Alarm Input / Alarm Output	1 ch / 1 ch (Optional)
Audio Input / Output	1-ch Mic in or Line in / 1-ch interface (Optional)
Image Settings	Saturation, brightness, contrast adjustable through client software or web browser
Network Storage	NAS – Network Storage Compatible
Alarm Trigger	Motion detection, network disconnect, IP address conflict, storage exception
Security	Password protection, watermark

<b>Environmental</b>	
Operating Temperature	-30 °C ~ 60 °C (-22 °F ~ 140 °F)
<b>Electrical</b>	
Input Voltage	12 VDC ± 10%, PoE (802.3af)
Power Consumption	12 VDC, 0.8A, max. 10W
<b>Physical</b>	
Dimensions	Φ154 x 134 mm
Protection	IP67 & IK10
Weight	1288 g
<b>Regulatory Certifications</b>	FCC, CE, C-TICK, UL

#### Dimensional Diagrams

##### Dimensions



IP Video Surveillance  
 VDA62-IMA Dome Camera  
**6MP Full HD 1080p**



**Ordering Information**

Camera Model	Camera Details
<b>VDA62-IMA</b>	6MP (3072 x 2048), Full HD 1080p Real Time IP Dome, True Day & Night (ICR), Varifocal 2.8~12 mm Lens, PoE, 120dB WDR, Triple Stream, 3-Axis, Vandal Proof, (VMS, Mobile & NAS Network Storage Support), SD Card support.

**Recommended Associated Products**



VDB-03	VDB-04	VVMS-Advanced™
Pendant Mount Bracket	Wall Mount Bracket with Gang Box	Video Management Software
<2500 grams	<2500 grams	64 Channel
150 (W) x 545 (H) mm	140mm (L) x 193.6mm (W) x 297.5 (H) mm	Mobile Application

**Affiliations:**



**Partners:**

